



12x20W LED MAGIC BALL BEAM

MJ-1040A



User Manual

=====PROFESSIONAL LED LIGHTING=====

Thank you for choosing our LED moving head light. For the sake of your safety, Please read and follow these instructions carefully and keep this manual in a safe place for future reference.

11. Maintenance and Cleaning

The following points have to be considered during the inspection:

- 1) All screws for installing the devices or parts of the device have to be tightly connected and must not be corroded.
- 2) There must not be any deformations on the housing, color lenses, fixations and installation spots (ceiling, suspension, trussing).
- 3) Mechanically moved parts must not show any traces of wearing and must not rotate with unbalances.
- 4) The electric power supply cables must not show any damage, material fatigue or sediments.

Further instructions depending on the installation spot and usage have to be adhered by a skilled installer and any safety problems have to be removed.



CAUTION!

Disconnect from mains before starting maintenance operation.

In order to make the lights in good condition and extend the life time, we suggest a regular cleaning to the lights.

- 1) Clean the inside and outside lens each week to avoid the weakness of the lights due to accumulation of dust.
- 2) Clean the fan each week.
- 3) A detailed electric check by approved electrical engineer each three month, make sure that the circuit contacts are in good condition, prevent the poor contact of circuit from overheating.

We recommend a frequent cleaning of the device. Please use a moist, lint-free cloth. Never use alcohol or solvents.

There are no serviceable parts inside the device. Please refer to the instructions under "Installation instructions". Should you need any spare parts, please order genuine parts from your local dealer.

1. Unpacking

Thank you for choosing our LED Magic Ball Beam moving head light. For your own safety, please read this manual before installing the device. This manual covers the important information on installation and applications. Please install and operate the fixture with following instructions. Meanwhile, please keep this manual well for future needs.

The LED Magic Ball Beam moving head light is made of a new type of high temperature strength of engineering plastics and case aluminum casing with nice outlook.. The fixture is designed and manufactured strictly following CE standards, complying with international standard DMX512 protocol. It's available independently controlled and linkable with each other for operation. And it is applicable for large-scale live performances, theater, studio, nightclubs and discos.

The LED Magic Ball Beam adopts 10PCS High Power 20W RGBW LED lamps which features high brightness and stability. Please carefully unpack it when you receive the fixture and check whether it is damaged during the transportation. And please check whether the following items are included inside the box:

LED Magic Beam----- 1pcs
Power Cable-----1pcs
User Manual-----1pcs
Hanging Bracket -----1pcs
XLR connector -----1unit

2. Safety Instructions



CAUTION!

Be careful with your operations. With a dangerous voltage you can suffer a dangerous electric shock when touching wires!

This device has left the factory in perfect condition. In order to maintain this condition and to ensure a safe operation, it is absolutely necessary for the user to follow the safety instructions and warning notes written in this user manual.



Important:

Damages caused by the disregard of this user manual are not subject to warranty. The dealer will not accept liability for any resulting defects or problems.

If the device has been exposed to temperature changes due to environmental changes, do not switch it on immediately. The arising condensation could damage the device. Leave the device switched off until it has reached room temperature.

This device falls under protection-class I. Therefore it is essential that the device be earthed.

The electric connection must carry out by qualified person.

The device shall only be used with rate voltage and frequency.

Make sure that the available voltage is not higher than stated at the end of this manual.

Make sure the power cord is never crimped or damaged by sharp edges. If this would be the case, replacement of the cable must be done by an authorized dealer.

Always disconnect from the mains, when the device is not in use or before cleaning it.

Only handle the power cord by the plug. Never pull out the plug by tugging the power cord.

During initial start-up some smoke or smell may arise. This is a normal process and does not necessarily mean that the device is defective, it should decrease gradually.

Please don't project the beam onto combustible substances.

Fixtures cannot be installed on combustible substances, keep more than 50cm distance with wall for smooth air flow, so there should be no shelter for fans and ventilation for heat radiation.

If the external flexible cable or cord of this luminaire is damaged, it shall be exclusively replaced by the manufacturer or his service agent or a similar qualified person in order to avoid a hazard.

10. Troubleshooting

Following are a few common problems that may occur during operation. Here are some suggestions for easy troubleshooting:

A. The unit does not work, no light and the fan does not work

1. Check the connection of power and main fuse.
2. Measure the mains voltage on the main connector.
3. Check the power on LED.

B. Not responding to DMX controller

1. DMX LED should be on. If not, check DMX connectors, cables to see if link properly.
2. If the DMX LED is on and no response to the channel, check the address settings and DMX polarity.
3. If you have intermittent DMX signal problems, check the pins on connectors or on PCB of the unit or the previous one.
4. Try to use another DMX controller.
5. Check if the DMX cables run near or run alongside to high voltage cables that may cause damage or interference to DMX interface circuit.

C. Some Units don't respond to the easy controller

1. You may have a break in the DMX cabling. Check the LED for the response of the master/slave mode signal.
2. Wrong DMX address in the unit. Set the proper address.

D. No response to the sound

1. Make sure the unit does not receive DMX signal.
2. Check microphone to see if it is good by tapping the microphone.

8. Specifications

- * Input Voltage: AC100-240V 50-60Hz
- * LED Qty: 12x20W RGBW 4-in-1 LED
- * Control Mode: DMX 512, Master/Slave, Sound and Auto
- * Control Channel: 21 DMX Channels
- * Power Consumption: 300W
- * Dimensions: 330x190x390mm
- * Net Weight: 6 kg
- * Gross Weight: 7.5 kg

9. Features

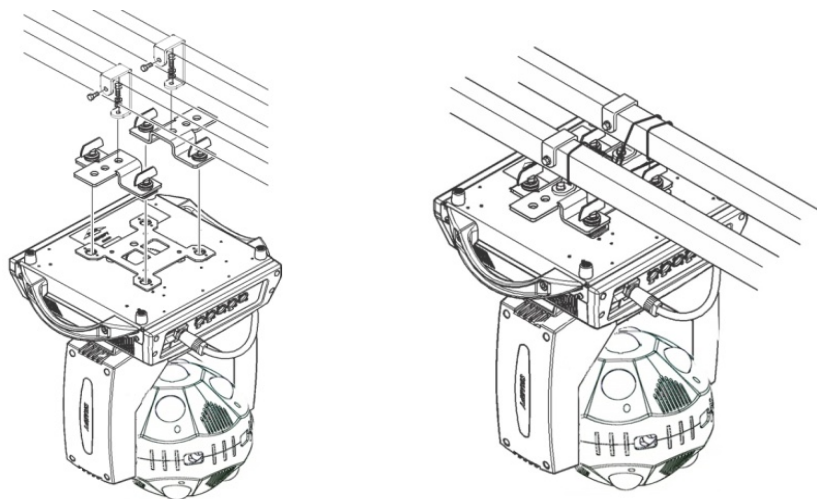
- * 12 piece 20W higher Power RGBW 4in1 LED
- * 50,000 hours lifespan and low power consumption
- * Pan 540° and Tilt 360° Continuous Movement with Fast Speed
- * Outstanding BEAM effect with pure color mixing
- * Each LED could be controlled individual
- * Double Side could be controlled individual
- * Default Pixel Macro effect for easy performance
- * Smooth, fast and precise PAN/TILT movement
- * Scan position memory, auto reposition after unexpected movement
- * High speed strobe effect with 1-25 flashes per second
- * 0-100% smooth linear LED dimmer
- * 21 DMX Channels USITT DMX-512
- * DMX512 and sound activated controllable or auto operation
- * 3-pin XLR connectors IN/OUT
- * -35°C to 45°C ambient temperature
- * IP20 protection rating
- * Mainly Apply for Night Club, DJ Mobile, Parties etc.

3. Operation Instructions

- The Moving head is for beam light use.
- Don't turn on the fixture if it's been through severe temperature difference like after transportation because it might damage the light due to the environment changes. So make sure to operate the fixture until it is in normal temperature.
- This light should be kept away from strong shaking during any transportation or movement.
- Don't pull up the light by only the head, or it might cause damages to the mechanical parts.
- Don't expose the fixture in overheat, moisture or environment with too much dust when installing it. And don't lay any power cables on the floor. Or it might cause electronic shock to the people.
- Make sure the installation place is in good safety condition before installing the fixture.
- Make sure to put the safety chain and check whether the screws are screwed properly when installing the fixture.
- Make sure the lens are in good condition. It's recommended to replace the units if there are any damages or severe scratch.
- Make sure the fixture is operated by qualified personnel who knows the fixture before using.
- Keep the original packages if any second shipment is needed.
- Don't try to change the fixtures without any instruction by the manufacturer or the appointed repairing agencies.
- It is not in warranty range if there are any malfunctions from not following the user manual to operate or any illegal operation, like shock short circuit, electronic shock, lamp broke, etc.

4. Installation Via Clamp

Please refer to the picture below:



Screw one clamp each via a M12 screw and nut onto the Omega holders.

Insert the quick-lock fasteners of the first Omega holder into the respective holes on the bottom of the device. Tighten the quick-lock fasteners fully clockwise. Install the second Omega holder.

Pull the safety-rope through the holes on the bottom of the base and over the trussing system or a safe fixation spot. Insert the end in the carbine and tighten the safety screw.

120-169 color changing A
170-219 color changing B
220-255 strobe

Channel 16 - LED 9

0-2 off
3-119 color macros
120-169 color changing A
170-219 color changing B
220-255 strobe

Channel 17 - LED 10

0-2 off
3-119 color macros
120-169 color changing A
170-219 color changing B
220-255 strobe

Channel 18 - LED 11

0-2 off
3-119 color macros
120-169 color changing A
170-219 color changing B
220-255 strobe

Channel 19 - LED 12

0-2 off
3-119 color macros
120-169 color changing A
170-219 color changing B
220-255 strobe

Channel 20 - effects modes

Channel 21 - preset shows

Channel 10 - LED 3

0-2 off
 3-119 color macros
 120-169 color changing A
 170-219 color changing B
 220-255 strobe

Channel 11 - LED 4

0-2 off
 3-119 color macros
 120-169 color changing A
 170-219 color changing B
 220-255 strobe

Channel 12 - LED 5

0-2 off
 3-119 color macros
 120-169 color changing A
 170-219 color changing B
 220-255 strobe

Channel 13 - LED 6

0-2 off
 3-119 color macros
 120-169 color changing A
 170-219 color changing B
 220-255 strobe

Channel 14 - LED 7

0-2 off
 3-119 color macros
 120-169 color changing A
 170-219 color changing B
 220-255 strobe

Channel 15 - LED 8

0-2 off
 3-119 color macros

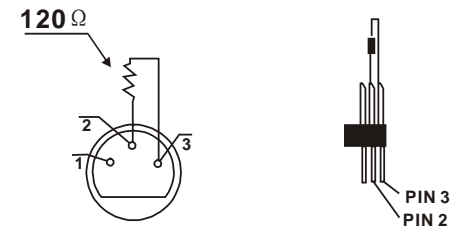
5. DMX-512 control connections

Connect the provided XLR cable to the female 3-pin XLR output of your controller and the other side to the male 3-pin XLR input of the moving head. You can chain multiple moving head together through serial linking. The cable needed should be two core, screened cable with XLR input and output connectors. Please refer to the diagram below.



DMX-512 connection with DMX terminator

For installations where the DMX cable has to run a long distance or is in an electrically noisy environment, such as in a discotheque, it is recommended to use a DMX terminator. This helps in preventing corruption of the digital control signal by electrical noise. The DMX terminator is simply an XLR plug with a 120 Ω resistor connected between pins 2 and 3, which is then plugged into the output XLR socket of the last fixture in the chain. Please see illustrations below.



6. Menu Instruction

Press “MENU” to browse the different function, Press “ENTER” to the Next Menu (Sub-Menu) Press “UP” or “DOWN” to choose the desire function and Press “ENTER” to Confirm. Press “MENU” to return back last menu

-set up:

-DMX ADDRESS

-DMX MODE

-RUN MODE: DMX 512,AUTO PR 1,AUTO PR 2,AUTO PR 3,EDIT PR,SOUND PR

-DIRECTION REV: X reversion, Y reversion,XY swap

-MASTER SLAVE

-BOOT LIGHTS

-SCREE SAVER

-FACTORY SETTING

-LANGUAGE

-FACTORY SETTING

-EDIT: scenes edit,edit pr 1, edit pr 6,12 scenes can be edited,edit pr 1 run, edit pr 6 run

-system: version inf,DMX values,system error,total time,the use time,lamp reset

-advance,sensors inf,reset adjust,touch set,white adjust

Sound active:

Press the button MODE, select and confirm SOUND PR mode by the buttons UP, DWON and ENTER, the item will run to the beat of music.

Auto:

Press the button MODE, select and confirm the following by the buttons UP, DWON and ENTER, the item will run auto shows:

Auto pr 1: preset show 1

Auto pr 2: preset show 2

Auto pr 3: preset show 3

Synchronization & master /slave mode

Take one item and set the item at sound active, or auto as above, then get other items and press the button MODE, till slave shows in the lcd display, confirm by the button of ENTER, then connect the items to the item at auto/sound active already set by DMX cables, disconnect the items from DMX controller, the items will work simultaneously, the item at auto/sound active as master, the others as slave.

7.DMX Channels

(21Channel Mode)

Channel 1 – pan

Channel 2 – tilt

Channel 3 –pan 16 bit

Channel 4 –tilt 16 bit

Channel 5 –pan,tilt speed adjustment

Channel 6 – tilt running continuously

Channel 7 - dimmer from darkness to full brightness

Channel 8 - LED 1

0-2	off
3-119	color macros
120-169	color changing A
170-219	color changing B
220-255	strobe

Channel 9 - LED 2

0-2	off
3-119	color macros
120-169	color changing A
170-219	color changing B
220-255	strobe